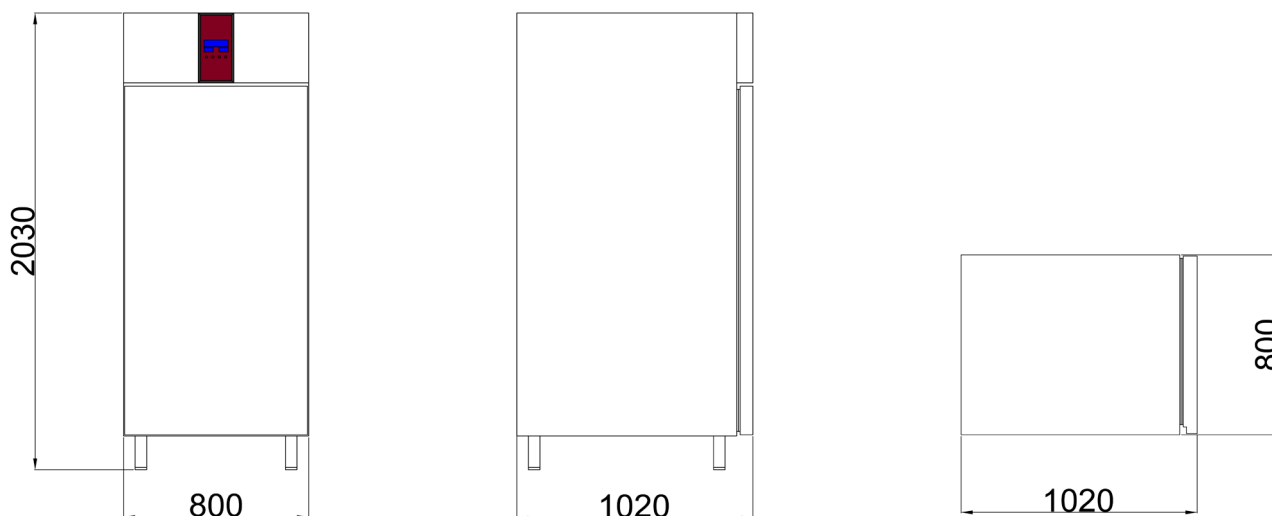


Prover Upright - START



DATA SHEET

External dimensions	mm 800x1020x2030h
Structure	Monoblock with insulation thickness 70mm. insulation by CFC-free rigid polyurethane foam and density 38/40 kg/cm. Lowered bottom for easy cleaning.
Internal finishing	Stainless steel AISI 304 18/10
External finishing	Stainless steel AISI 304 18/10 - except bottom, back and technical compartment.
Door	n.1
Capacity of trays	n.20 mm 600x800 - distance between trays mm 62
Heating elements	n.1 of 1800 Watt
Steam generator	n.1 of 500 watt s/s non-water contact resistance
Temperature range	Ambient / +40 °C
Humidity range	Ambient / 100%
Temperature probe	n.1 Ntc
Humidity probe	n.1 4-20mA
Avant controller	n.1 Digital with LCD display and 4 programming keys
Voltage	Volt 1x230+N 50Hz
Maximum absorption	2,5 Kw.

OPTIONS

CODE

ST40